

Super Power Pusher™

Battery-Powered Material
Handling Equipment



The **Super Power Pusher™** has the push/pull capacity necessary to overcome extremely heavy or high rolling resistance loads, delivering the ability to maneuver virtually any industrial load. Featuring a low-maintenance design and a heavy-duty construction for extreme durability, Super Power Pusher is capable of mobilizing loads reaching up to 250,000 pounds. Plus, with its wide range of custom, modular attachments, this device is as flexible as the loads it transports.

NU-STAR, Inc.

powerpusher.com



PowerPusher®
If It Rolls...We Can Move It.™

Super Power Pusher™

FEATURES AND BENEFITS

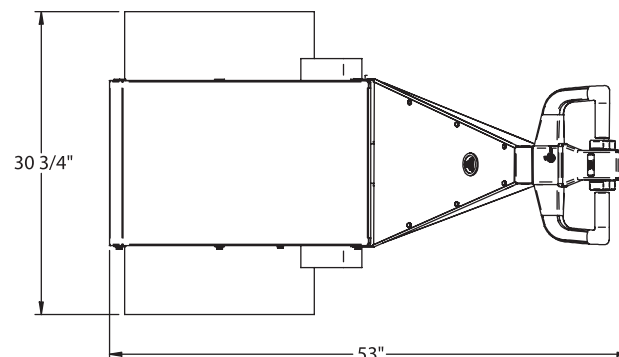
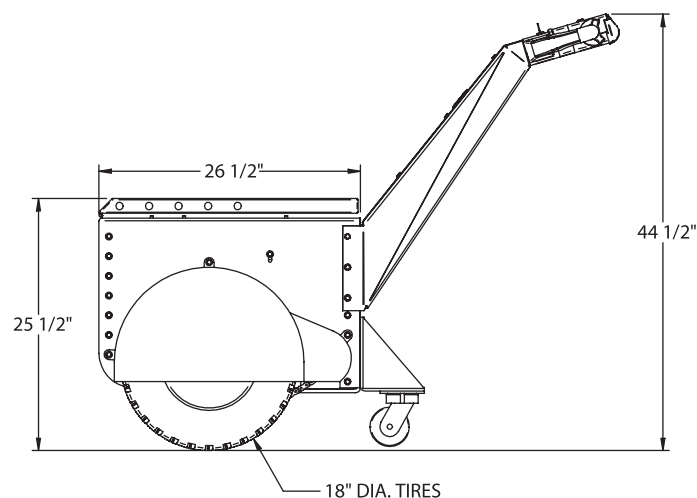
- 36-volt DC, 1500-watt motor provides 150,000 pounds push/pull capacity
- Dual motor model available that delivers up to 250,000 pounds of push/pull capacity
- Fully programmable control system with diagnostic features to adjust speed and acceleration/deceleration based on load and environment
- Solid rubber wheel drive with alternative tread patterns and materials specification for various floor applications
- Electrically powered with on-board charger for efficient, long-lasting operation
- Fingertip controls and compact construction deliver easy maneuverability
- Automatic braking for improved operator safety
- Ergonomic handles and hand guards for operator comfort and safety

OPTIONS

- Maintenance free batteries
- Strobe and audible motion beeper for safety and visibility on plant floor
- Remote control
- High traction and non-marking tires
- Stainless steel
- Fold up handles for smaller footprint
- Versatile standard and custom attachment options available - see website

SPECIFICATIONS

- **Motor type:** 36 Volt D.C. — 1500W
- **Drive Mechanism:** 2 x chain & sprocket
- **Gearbox:** Single speed reduction gearbox, with differential
- **Controller:** Digital fully programmable, with fault diagnostic capability
- **Batteries:** 3 x 90 Ah Dryfit, Gel Type. Sealed & maintenance free
- **Battery Charger:** On-Board, 3 stage, 3 x 15 Amp output 110v or 240v
- **Push/Pull Capacity:** Up to 150,000 lbs. (subject to rolling resistance)



1425 Stagecoach Road, Shakopee, MN 55379
 Phone: 800.800.9274 or 952.445.8295
 Fax: 952.445.0231

powerpusher.com

