

# Power Pusher™

## Battery-Powered Material Handling Equipment



Nu-Star's signature **Power Pusher™** improves operator safety, reduces manpower and increases plant floor productivity with less downtime by transporting heavy loads fast and without excess exertion or muscle strain. Enabling a single person to maneuver from 500 up to 50,000 pounds with total control, the electrically powered, compact tug replaces large, expensive material handling equipment, such as forklifts and tractors. With a wide range of standard or custom attachments available, the tugs are a scalable, flexible solution built to meet specific load requirements.

NU-STAR, Inc.

[powerpusher.com](http://powerpusher.com)



**PowerPusher®**  
*If It Rolls... We Can Move It.™*

# Power Pusher™

## FEATURES AND BENEFITS

- 24-volt DC, 400-watt motor delivers heavy-duty 50,000 pound push/pull capacity
- Transaxle design delivers stable operation over uneven surfaces
- Fully programmable control system with diagnostic features to adjust speed and acceleration/deceleration based on load and environment
- Ergonomic handles with hand guards increase operator comfort and safety
- Electrically powered with on-board charger for long-lasting, efficient operation
- Fingertip controls and compact sizing for easy maneuverability and operation

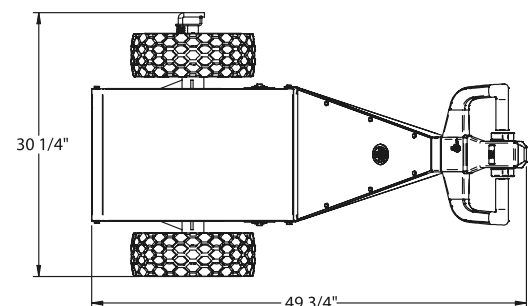
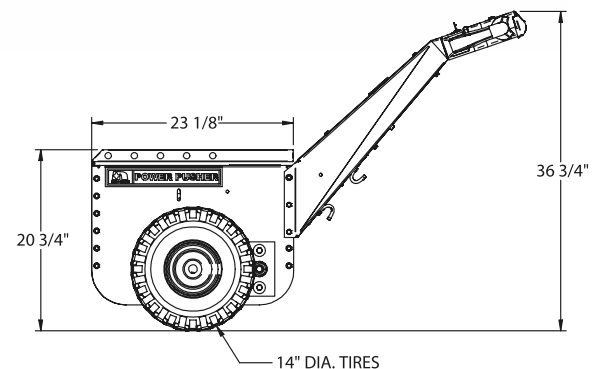


## OPTIONS

- Safety pack with strobe and motion beeper for high visibility on factory floors
- Foam-filled or non-marking rubber tires for heavy-duty applications
- Ergonomic handles with hand guards increase operator comfort and safety
- Maintenance free batteries
- Remote control
- Stainless steel
- Fold up handles for smaller footprint
- Versatile standard and custom attachments available – see website

## SPECIFICATIONS

- **Motor type:** 24 Volt D.C. either 200W (4,000 lbs. capacity), or 400W (50,000 lbs. capacity).
- **Gearbox:** Single speed reduction gearbox, with differential
- **Drive Mechanism:** 2 x chain & sprocket
- **Controller:** Fully programmable, with diagnostic capability
- **Batteries:** Group 27 deep cycle marine batteries
- **Battery Charger:** On-Board, 3 stage, 2 x 10 Amp circuits
- **Push/Pull Capacity:** Up to 50,000 lbs. (subject to rolling resistance of load)



1425 Stagecoach Road, Shakopee, MN 55379  
 Phone: 800.800.9274 or 952.445.8295  
 Fax: 952.445.0231

[powerpusher.com](http://powerpusher.com)



**PowerPusher®**  
*If It Rolls...We Can Move It.™*